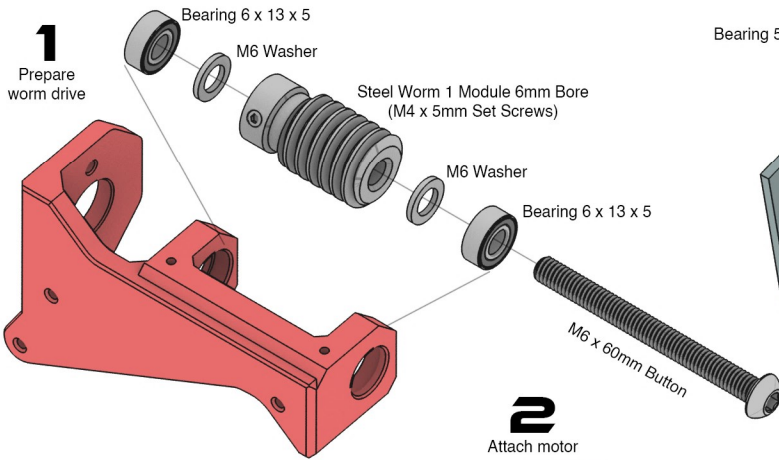


# STEP 1

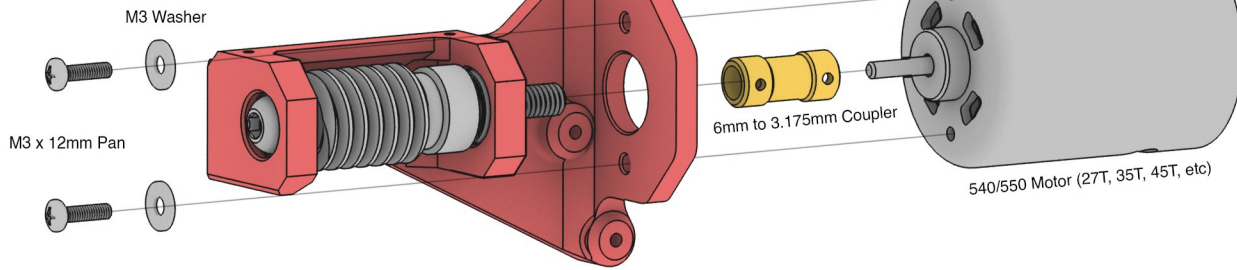
## WORM DRIVE TRANSMISSION

# KYOSHO BLIZZARD WORM GEAR TRANSMISSION KIT

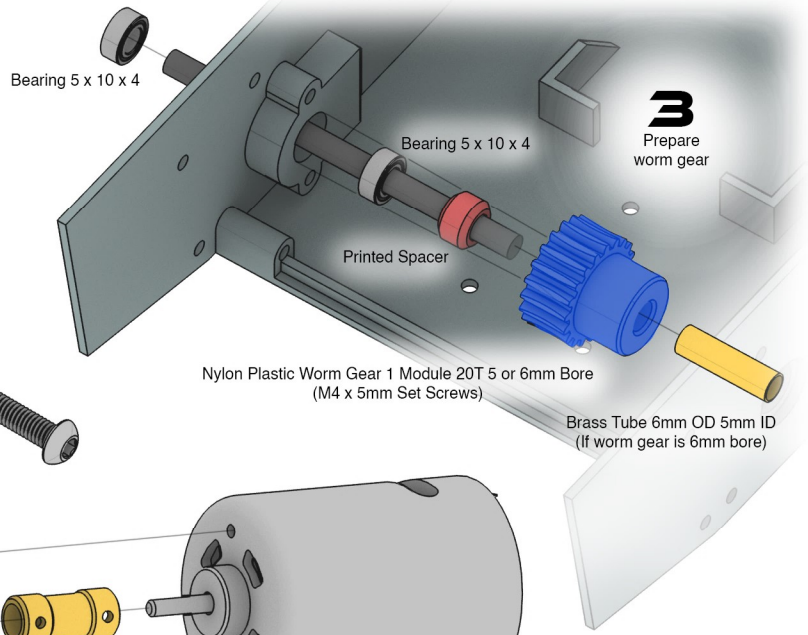
**1**  
Prepare worm drive



**2**  
Attach motor



**3**  
Prepare worm gear



# STEP 2

## SNOW BLOWER LIFTING SETUP

